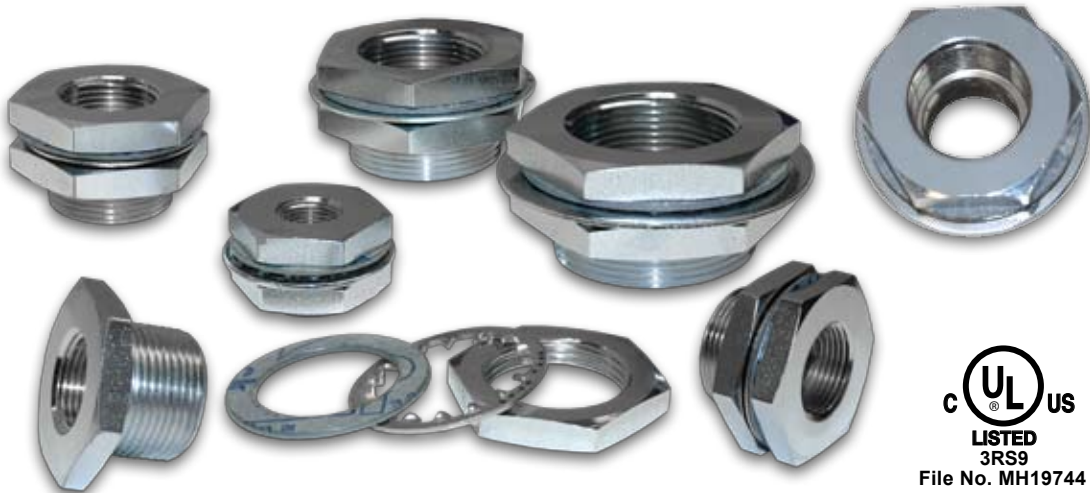


introducing...

Quick-Tite[®] Fittings

Quick-Tite[®] Fittings by Component Hardware are designed to prevent grease and other liquids from penetrating through the metal wall of a cooking hood or duct wherever a hole is created to accommodate fire suppression systems.

Quick-Tite[®] Fittings make installations much faster, easier and less costly by providing a stable, weld-tight joint without the hassles or expense of actual on-site welding and polishing.



- ▶ Provides structural support for the system piping, improving system integrity and reducing the need for additional pipe hangers.
- ▶ Available in eight standard sizes to accommodate pipe sizes from 1/4" to 1-1/2" pipe.
- ▶ All Quick-Tite[®] Fittings are pressure tested to 5000 psi
- ▶ Tested and Listed by Underwriters Laboratories under "Hood and Duct Accessories". (compatible with UL listed fire suppression systems)
- ▶ In conformance with the requirements of NFPA Standard No. 96.
- ▶ Manufactured of solid machined steel for superior strength and high temperature resistance.
- ▶ Supplied with a chrome plated finish to maximize corrosion resistance and attractive appearance
- ▶ Fittings are provided with internal pipe threads to permit easy coupling of the pipes at the point of penetration.

Model No.	Quick-Tite Fittings	Wt. Per Fitting	Case Qty
F11-0014	1/4" (6mm) Pipe	2.5 oz. (71g)	24
F11-0038	3/8" (10mm) Pipe w/ 1-1/8" Hole	3.3 oz. (94g)	24
F11-0038A	3/8" (10mm) Pipe w/ 7/8" Hole	5.8 oz. (164g)	24
F11-0012	1/2" (13mm) Pipe	5.3 oz. (150g)	24
F11-0034	3/4" (19mm) Pipe	8.3 oz. (235g)	12
F11-0100	1" (25mm) Pipe	13.5 oz. (383g)	8
F11-0114	1-1/4" (32mm) Pipe	15.5 oz. (439g)	8
F11-0112	1-1/2" (38mm) Pipe	19.0 oz. (539g)	8

Model No.	Corner Pulley	Wt. Per Pulley	Case Qty
F11-0012A	7/8"- 18 x 1/2" NPT	5.1 oz. (145g)	24
F11-0012B	15/16"- 20 x 1/2" NPT	4.9 oz. (139g)	24

Quick-Tite[®] Hole Plugs

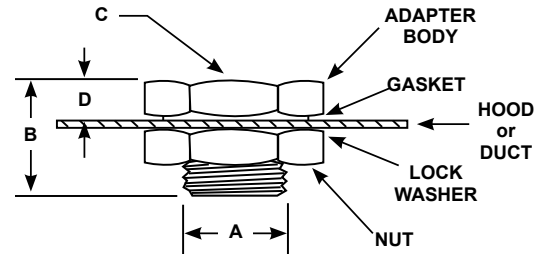
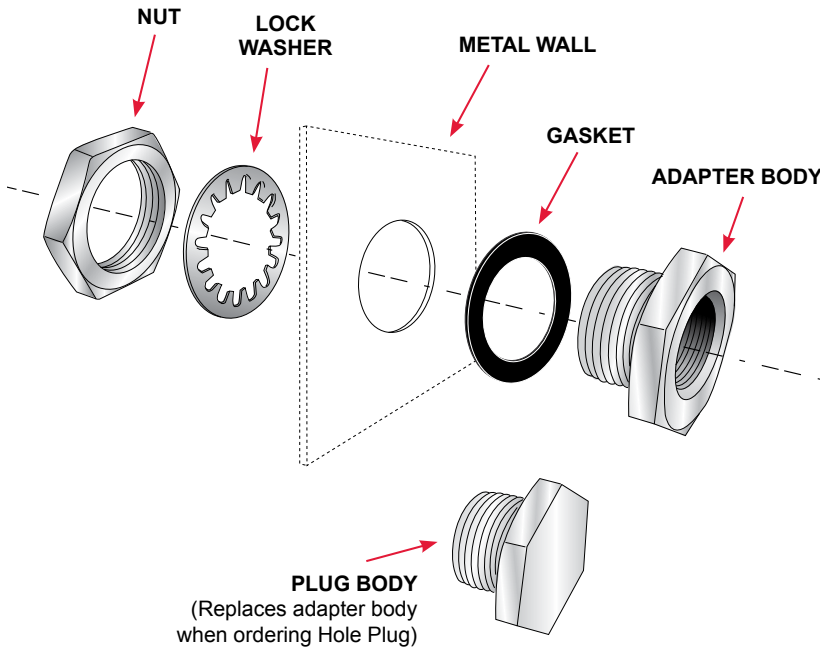
- ▶ Quick-Tite[®] Hole Plugs are designed to provide a positive seal or patch for existing penetrations that are no longer required.
- ▶ Ideal to repair unwanted holes as a result of changes to a fire protection system, moving the location of a fire suppression nozzle, drilling a hole at the wrong location or using a hood/duct with previously drilled holes.
- ▶ Quick-Tite[®] Hole Plugs are easy to install and provide an attractive, finished appearance to match adapters
- ▶ Available for five standard hole sizes - 3/4", 7/8", 1-1/8", 1-3/8", and 1-5/8".



Model No.	Hole Size	Wt. Per Hole Plug	Case Qty
F12-0034	3/4" to 7/8" (19mm) to (22mm)	3.2 oz. (91g)	24
F12-0078	7/8" to 1" (22mm) to (25mm)	4.8 oz. (136g)	24
F12-0118	1-1/8" to 1-5/16" (29mm) to (33mm)	7.2 oz. (204g)	12
F12-0138	1-3/8" to 1-9/16" (35mm) to (40mm)	12.8 oz. (363g)	12
F12-0158	1-5/8" to 1-7/8" (41mm) to (48mm)	21.6 oz. (612g)	6



Quick-Tite[®] Assembly Breakdown



Model No.	Size of Pipe	A = Cut Out Hole Size	B	C	D
F11-0014	1/4" (6mm)	3/4" to 7/8" (19mm) to (22mm)	0.88	1.13 hex	0.25
F11-0038	3/8" (10mm)	1-1/8" to 1-5/16" (29mm) to (33mm)	1.00	1.50 hex	0.31
F11-0038A	3/8" (10mm)	7/8" to 1" (22mm) to (25mm)	1.00	1.50 hex	0.31
F11-0012	1/2" (13mm)	1-1/8" to 1-5/16" (29mm) to (33mm)	1.14	1.50 hex	0.31
F11-0034	3/4" (19mm)	1-3/8" to 1-9/16" (35mm) to (40mm)	1.25	1.88 hex	0.31
F11-0100	1" (25mm)	1-5/8" to 1-7/8" (41mm) to (48mm)	1.50	2.25 hex	0.38
F11-0114	1-1/4" (32mm)	2" to 2-1/4" (51mm) to (57mm)	1.50	2.50 hex	0.38
F11-0112	1-1/2" (38mm)	2-1/4" to 2-1/2" (57mm) to (64mm)	1.50	2.75 hex	0.38